

MODEL	HT6-812	SERIAL NUMBER	SAMPLE
--------------	----------------	----------------------	---------------

REFERENCE TO OCCUPATIONAL SAFETY AND HEALTH ADMINISTRATION RULES AND REGULATIONS, 29 CFR, NO 209, PART 1926, SUBPART P

SHIELD SIZE		PSF RATING	MAXIMUM ALLOWABLE DEPTH OF CUT (FEET) SOIL TYPE TO BE EXCAVATED		
-------------	--	------------	--	--	--

HEIGHT (FEET)	LENGTH (FEET)	MAXIMUM LATERAL EARTH PRESSURE CAPACITY AT TRENCH BOTTOM IN POUNDS PER SQUARE FOOT	TYPE B MEDIUM COHESIVE TO GRANULAR SOIL 45 PSF PER FOOT OF DEPTH	TYPE C-60 SOFT COHESIVE TO SUBMERGED CLAY SOIL, 60 PSF PER FOOT OF DEPTH	TYPE C-60 SOFT NON COHESIVE TO SUBMERGED SANDY SOIL, 60 PSF PER FOOT OF DEPTH
------------------	------------------	--	---	---	--

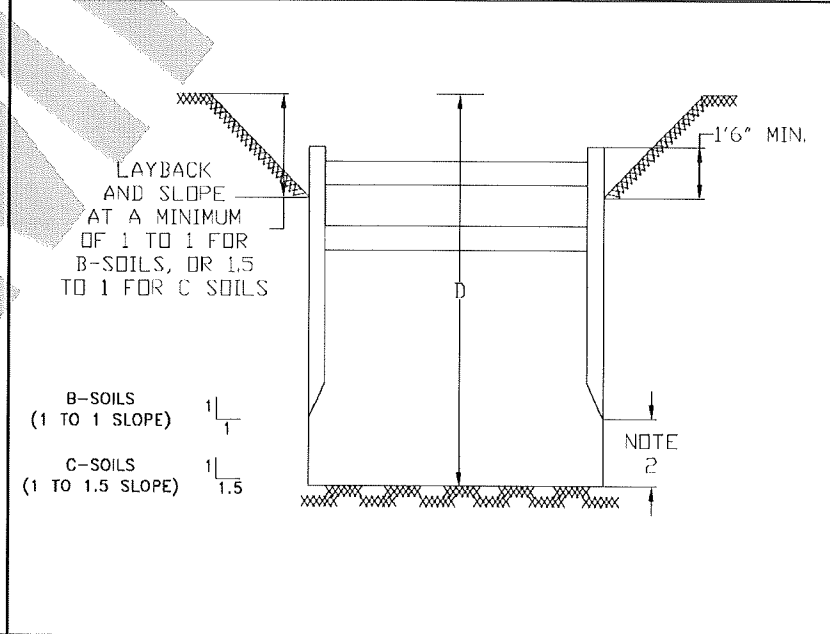
8	12	2280	51	46	38
----------	-----------	-------------	-----------	-----------	-----------

LIMITATIONS IN USE OF TABLE

1. TRENCH SHIELD TO BE ASSEMBLED AND INSTALLED AS SHOWN AND IN ACCORDANCE WITH MANUFACTURER'S INSTRUCTIONS.
2. EXCAVATION 2 FEET BELOW BOTTOM OF SHIELD IS PERMITTED WHEN NO LOSS OF SOIL FROM BEHIND OR BELOW THE BOTTOM OF SHIELD IS ENCOUNTERED. SEE PARAGRAPH 1926.652 (e)(2)(i). THE COMPETENT PERSON SHALL MAKE THE DETERMINATION FOR COMPLIANCE. SUDDEN SHIFTING OF THE SHIELD VERTICALLY SHALL BE AVOIDED.
3. CONSULT MANUFACTURER WHEN RESTRICTION ON NOTE 2 IS NOT MET.
4. ADDITIONAL SHIELDS MAY BE STACKED WITH NO PENALTY IN DEPTH OF CUT AS LONG AS THE RATING OF THE BOTTOM SHIELD IS NOT EXCEEDED.
5. DEPTHS OF CUTS SHOWN ARE BASED ON EXAMPLES OF VARIOUS SOIL CONDITIONS. VERIFY ACTUAL SOIL PRESSURES PRIOR TO EACH USE.
6. ANY MODIFICATIONS OR ALTERATIONS NOT ALLOWED UNLESS APPROVED IN WRITING BY EFFICIENCY PRODUCTION, INC.
7. CONTRACTOR'S COMPETENT/QUALIFIED PERSON SHALL BE RESPONSIBLE FOR MONITORING SOIL CONDITIONS AND SHALL BE RESPONSIBLE FOR COMPLIANCE WITH ALL FEDERAL, STATE AND LOCAL RULES AND REGULATIONS.
8. SPREADER PINS SHALL BE AISI C-1018 60-75 KSI MIN. YIELD AND NO MORE THAN 1/4" SMALLER THAN COLLAR AND SPREADER PIN HOLES AS MANUFACTURED BY EFFICIENCY PRODUCTION, INC.

CONTINUED ON REVERSE SIDE

DESCRIPTION	DESCRIPTION	DESCRIPTION
CLAY, WITH UNCONFINED COMPRESSIVE STRENGTH GREATER THAN 0.5 TSF BUT LESS THAN 1.5 TSF COHESIONLESS GRAVEL, SILT, SILT LOAM OR SANDY LOAM	SOFT COHESIVE SOIL UNCONFINED COMPRESSIVE STRENGTH EQUAL TO 0.5 TSF CLAY, SAND AND LOAMY SAND; SUBMERGED SOIL THAT IS STABLE	SOFT COHESIONLESS SOIL UNCONFINED COMPRESSIVE STRENGTH LESS THAN 0.5 TSF GRAVEL, SAND AND LOAMY SAND; SUBMERGED SOIL OR FRACTURED ROCK THAT IS NOT STABLE



	CERTIFIED BY: EFFICIENCY PRODUCTION INC.	COPYRIGHT: 1991 EFFICIENCY PRODUCTION INC. ALL RIGHTS RESERVED
--	--	---

MANUFACTURED UNDER ONE OR MORE OF THE FOLLOWING U.S. PATENT NUMBERS: 4,090,365-4,114,383-4,259,028 ONE OR MORE OF THE FOLLOWING CANADIAN PATENT NUMBERS: 1,062,683-1,062,684

USE THIS PRODUCT ONLY IN ACCORDANCE WITH APPLICABLE FEDERAL, STATE OR LOCAL LAWS

ANY USE OF THIS PRODUCT NOT SPECIFICALLY DESCRIBED ON THIS CERTIFICATE COULD CAUSE IN CAVE-IN, COLLAPSE, OR STRUCTURAL FAILURE RESULTING IN DEATH OR SERIOUS INJURY